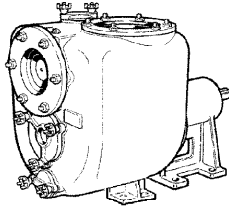
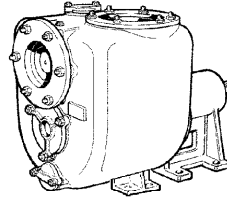


DISTINTA DELLE PARTI COSTITUENTI LE POMPE CENTRIFUGHE AUTOADESCANTI SERIE " J "

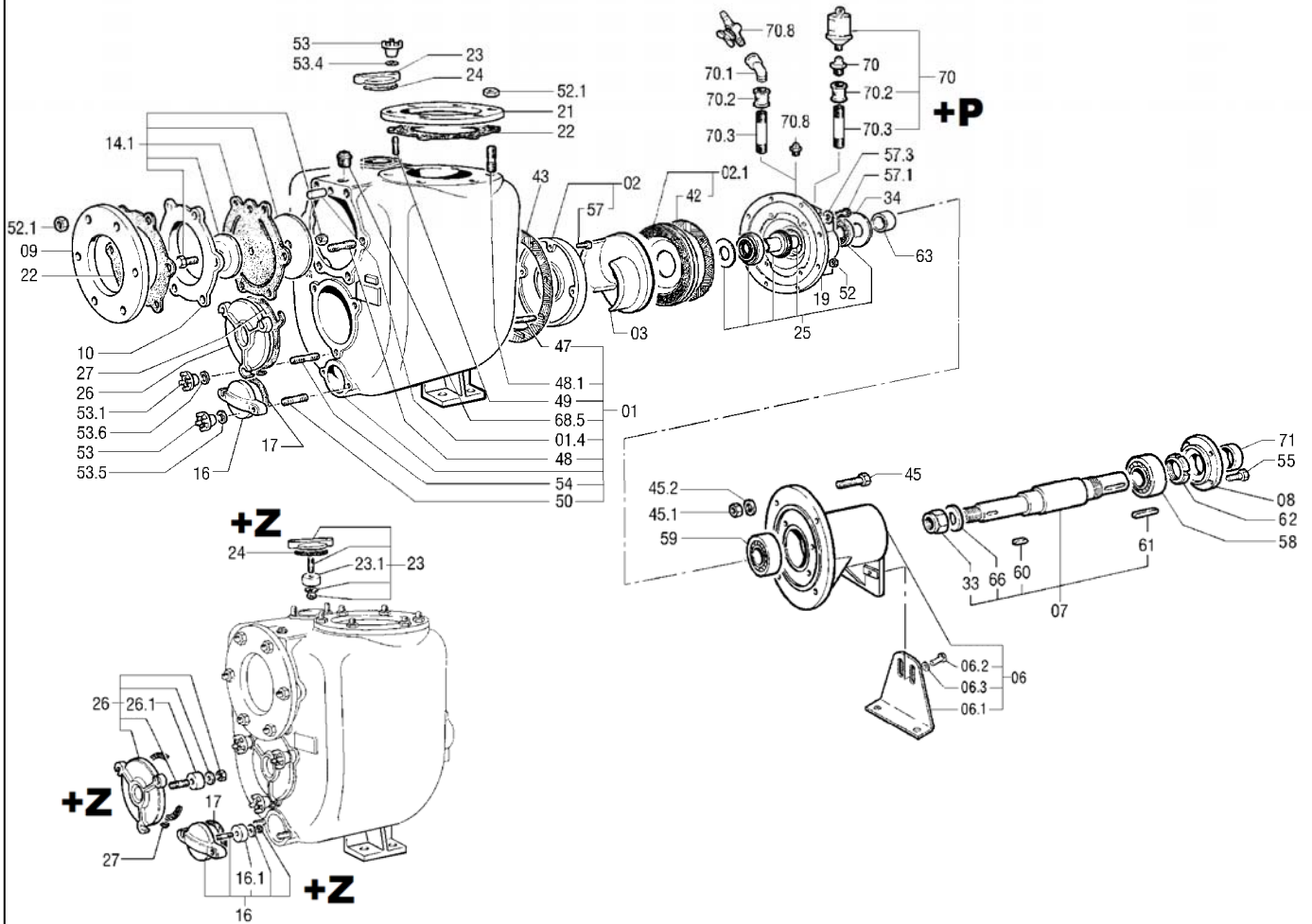
SPARE PARTS LIST FOR " J " SERIES SELF-PRIMING PUMPS



- JS 6-250 G10 Code 10021235
- JS 6-250 Q10 Code 10021267
- JS 6-250 B10 Code 10021280
- JS 6-250 P10 Code 10025397
- JS 6-250 G20 Code 10037057
- JS 6-250 G11 Code 10031837
- JS 6-250 P30 Code 10025397
- JS 6-250 D11 Code 10053105



- JS 6-250 F10 Code 10021295
- JS 6-250 K10 Code 10021337
- JS 6-250 K20 Code 10030454



Rif. N°. Pos. Nr.	Quant.	Denominazione	Part name	Den. Comm. Type	Mat. *	Codice Nuovo New Part. No.	JS 6-250 G10	JS 6-250 G20	JS 6-250 G11	JS 6-250 P10	JS 6-250 P30	JS 6-250 F10	JS 6-250 Q10	JS 6-250 B10	JS 6-250 K10	JS 6-250 K20	JS 6-250 D11					
01	1	Corpo (1)	Casing (1)		G	1002 3930	○	○	○	○	○											
					G+N2	1005 3155															○	
					G	1004 5063									○	○						
					B	1002 3931												○				
					K	1002 3932													○	○		
01.4	1	Spina	Spring pin	UNI 6873 5 x 10	S	1000 1775	○	○	○	○	○	○	○	○	○	○	○	○				
02	1	Piatto d'usura (2)	Wear plate (2)		GN	1000 8429	○	○	○													
					G	1000 8433				○	○											
					G+N1	1005 3158																○
					B	1000 8405											○	○				
					G	1000 8433																
02.1	1	Piatto d'usura (3)	Wear plate (3)		GN	1002 3925	○	○	○													
					G	1002 3926				○	○											
					G+N1	1005 3160																○
					B	1002 3927											○	○				
					G	1002 3926																
03	1	Girante	Impeller		GS	1000 5458	○	○	○	○	○											
					GS+N4	1005 1636															○	
					B	1000 5447										○	○					
					K	1000 5428										○	○	○	○			
06	1	Supporto completo (4)	Bearing housing compl. (4)		G	1002 1227	○	○	○	○	○	○	○	○	○	○	○	○				
06.1	1	Piede supporto	Bearing housing foot		S	1002 1223	○	○	○	○	○	○	○	○	○	○	○	○				
06.2	2	Vite	Screw	M14 x 25 DIN 933	S	1000 2018	○	○	○	○	○	○	○	○	○	○	○	○				
06.3	2	Rondella	Washer	M14 UNI1751/52 A	S	1000 1682	○	○	○	○	○	○	○	○	○	○	○	○				
07	1	Albero (5)	Shaft (5)		S3	1002 1225	○	○	○	○	○							○				
					K7	1002 1264															○	
08	1	Copricuscinetto	Bearing cover		G	1000 4775	○	○	○	○	○	○	○	○	○	○	○	○				
09	1	Flangia aspirazione	Suction flange	DN 150 D.I. 1882	S	1000 1499	○	○	○	○	○	○	○	○	○	○	○	○				
					K	1002 1144												○	○			
10	1	Portavalvola	Suction flange		G	1000 6431	○	○	○	○	○								○			
					OTS	1000 6402									○	○						
					K	1000 6452													○	○		
							+F	+F	+F	+F	+F	+F	+F	+F					+F			
14.1	1	Valvola completa	Check valve ass.		NG	1000 9026	○	○	○										○			
					VK	1000 9036				○	○	○							○	○		
16	1	Portina	Cover		G	1000 6474	○	○	○	○	○								○			
					GZ	1000 8503	+Z	+Z	+Z					○								
					OTS	1000 3749												○				
					K	1000 6503													○	○		
17 (**)	1	Guarnizione	Gasket	72 x 95 x 3																		
19	1	Portamotore	Head		G	1002 1216	○	○	○	○	○	○							○			
					G	1003 0451															○	
					B	1002 1276												○				
					K	1002 1332													○			
21	1	Flangia mandata	Discharge flange	DN 150 D.I. 1882	S	1000 1481	○	○	○	○	○	○	○	○	○	○	○	○				
					K	1000 1545																○
							+F	+F	+F	+F	+F	+F	+F	+F					+F			
22 (**)	2	Guarnizione	Gasket	150 x 285 x 3																		
23	1	Portina	Cover		G	1000 6474	○	○	○	○	○								○			
					GZ	1000 8503	+Z	+Z	+Z					○								
					OTS	1000 3749												○				
					K	1000 6503													○	○		
24 (**)	1	Guarnizione	Gasket	72 x 95 x 3																		
25	1	Anello di tenuta compl.	Mechanical seal ass.			1002 1228	○	○	○										○			
						1002 3971															○	
						1002 3973									○							
						1002 1309									○	○			○			
26	1	Portina	Cover		G	1000 6477	○	○	○	○	○	○							○			
					GZ	1000 8505	+Z	+Z	+Z						○							
					OTS	1000 3751												○				
					K	1000 6505													○	○		

Rif. N°. Pos. Nr.	Quant.	Denominazione	Part name	Den. Comm. Type	Mat. *	Codice Nuovo New Part. No.	JS 6-250 G10	JS 6-250 G20	JS 6-250 G11	JS 6-250 P10	JS 6-250 P30	JS 6-250 F10	JS 6-250 Q10	JS 6-250 B10	JS 6-250 K10	JS 6-250 K20	JS 6-250 D11	
27 (**)	1	Guarnizione	Gasket															
33	1	Dado blocca girante	Impeller nut	M 30 x 2 UNI 7474 M 30 x 2 UNI 7474	H K	1000 1466 1000 1473	○	○	○	○	○	○	○	○	○	○	○	○
42 (**)	1	Guarnizione piatto	Wear plate gasket															
43 (**)	1	Guarnizione corpo	Casing gasket															
45	4	Vite	Screw	M 12 x 45 DIN 931 M 12 x 45 DIN 933	S K	1000 1963 1000 2056	○	○	○	○	○	○	○	○	○	○	○	○
45.1	4	Dado	Nut	M 12 DIN 934	S K	1000 1422 1000 1439	○	○	○	○	○	○	○	○	○	○	○	○
45.2	4	Rondella	Washer	M 12 UNI 1751/52 A	S K	1000 1681 1000 1685	○	○	○	○	○	○	○	○	○	○	○	○
47 (*)	8 8	Prigioniero	Stud	M 12 x 25 DIN 938 M 12 x 25 DIN 938	S K		○	○	○	○	○	○	○	○	○	○	○	○
48 (*)	6	Prigioniero	Stud	M 16 x 55 DIN 938 M 16 x 60 DIN 938	S K	1000 1832 1000 1851	○	○	○	○	○	○	○	○	○	○	○	○
48.1 (*)	6	Prigioniero	Stud	M 16 x 35 DIN 938	S K		○	○	○	○	○	○	○	○	○	○	○	○
49 (*)	2	Prigioniero	Stud	M 10 x 35 DIN 938	S K		○	○	○	○	○	○	○	○	○	○	○	○
50 (*)	2	Prigioniero	Stud	M 10 x 35 DIN 938	S K		○	○	○	○	○	○	○	○	○	○	○	○
52 (*)	8	Dado	Nut	M 12 DIN 934	S K		○	○	○	○	○	○	○	○	○	○	○	○
52.1 (*)	12	Dado	Nut	M 16 DIN 934	S K		○	○	○	○	○	○	○	○	○	○	○	○
53 (*)	4	Maniglietta Dado	Wrench Nut	M 10 M 10 DIN 934	OTS K		○	○	○	○	○	○	○	○	○	○	○	○
53.1 (*)	3	Maniglietta Dado	Wrench Nut	M 12 M 12 DIN 934	OTS K		○	○	○	○	○	○	○	○	○	○	○	○
53.4 (*)	2	Rondella	Washer	M 10 DIN 125 A	K							○			○	○		
53.5 (*)	2	Rondella	Washer	M 10 DIN 125 A	K							○			○	○		
53.6 (*)	3	Rondella	Washer	M 12 DIN 125 A	K							○			○	○		
54 (*)	3	Prigioniero	Stud	M 12 x 30 DIN 938	S K		○	○	○	○	○	○	○	○	○	○	○	○
55	4	Vite	Screw	M 6 x 20 DIN 933	S	1000 1933	○	○	○	○	○	○	○	○	○	○	○	○
57 (*)	4	Vite	Screw	M 10 x 20 DIN 912	H G321 K		○	○	○	○	○							○
57.1 (*)	4	Vite	Screw	M 12 x 25 DIN 933	S K H		○	○	○	○	○	○		○	○			○
57.3 (*)	4	Rondella	Washer	M 12 DIN 125A	S K		○	○	○	○	○	○						○
58	1	Cuscinetto	Ball bearing	3308-2RS		1004 0861	○	○	○	○	○	○	○	○	○	○	○	○
59	1	Cuscinetto	Ball bearing	62208-2RS		1000 1365	○	○	○	○	○	○	○	○	○	○	○	○
60	1	Linguetta	Key	10 x 8 x 40 DIN6885A	K	1000 1626	○	○	○	○	○	○	○	○	○	○	○	○
61	1	Linguetta	Key	10 x 8 x 70 DIN6885A	S	1000 1598	○	○	○	○	○	○	○	○	○	○	○	○
62	1	Ghiera	Lock ring	M 40	S	1000 1573	○	○	○	○	○	○	○	○	○	○	○	○
63	1	Ghiera		35 x 50 x 10	S	1002 1222	○	○	○	○	○	○	○	○	○	○	○	○
66	1	Rondella	Washer	M 30 DIN 125A	H K	1000 1716 1000 1715	○	○	○	○	○							○
67	1	Ingrassatore	Grease nipple	M 6 M 6 x 30		1000 1664 1000 1665	○	○	○	○	○	○	○	○	○	○	○	○
68.5 (*)	1	Tappo	Plug	1/4"	G K	1000 2379 1000 2414	○	○	○	○	○	○	○	○	○	○	○	○
70 (*)	1	Ingrassatore Cartuccia Perma (7)	Grease nipple Perma cartridge (7)	1/4"		1000 1662 1000 8316	○	○	○	○	○	○	○	○	○	○	○	○
70.1 (*)	1	Curva	Elbow	1/4"	G	1000 2352												○
70.2 (*)	1 1	Manicotto	Union	1/4"	S S		+P	+P	+P	+P	+P	+P	+P	+P	+P	+P	+P	+P
70.3 (*)	1 1	Prolunga	Grease tube	1/4"			+P	+P	+P	+P	+P	+P	+P	+P	+P	+P	+P	+P
70.8 (*)	1 1	Rubinetto Lava Tenuta Tappo	Seal flush cock Plug	1/4" 1/4"	S S				○									○

Rif. N° Pos. Nr.	Quant.	Denominazione	Part name	Den. Comm. Type	Mat. *	Codice Nuovo New Part. No.	JS 6-250 G10	JS 6-250 G20	JS 6-250 G11	JS 6-250 P10	JS 6-250 P30	JS 6-250 F10	JS 6-250 Q10	JS 6-250 B10	JS 6-250 K10	JS 6-250 K20	JS 6-250 D11	
							○	○	○	○	○	○	○	○	○	○	○	○
71	1	V-ring	V-ring	V 35	N	1000 1294	○	○	○	○	○	○	○	○	○	○	○	○
76					76													
(*)		Serie viterie	Set of screws			1001 4213	○	○	○	○								
						1005 1574												○
						1001 4221							○	○				
						1002 1291									○	○		
(**)		Serie guarnizioni	Set of gaskets		N	1002 6958	○	○	○				○	○				
					V	1002 4037									○	○		
					V	1002 4038				○	○	○						
+ F***		Kit flange	Kit flange	DN 150 PN16	G	1004 4977	○	○	○	○	○	○						○
				DN 150 PN16	B	1004 5099							○	○				
				6" ASA150	G	1004 5100	○	○	○	○	○	○						
+ P***		Kit ingrassatore	Compl. Grease kit			1000 8316	○	○	○	○	○	○	○	○	○	○	○	○
+ Z***		Kit portine	Set of couver		GZ	1001 4235	○	○	○									
***		Optional																

Note:	Notes:
1) Completo di prigionieri (47, 48, 49, 50, 54) e tappo (68.5).	1) Complete with studs (47, 48, 49, 50, 54) and plug (68.5).
2) Completo di viti (57).	2) Complete with screws (57).
3) Completo di guarnizione (42).	3) Complete with gasket (42).
4) Completo di supporto (06), piede (06.1), vite (06.2) e rondella (06.3)	4) Complete with bearing housing (06), foot (06.1), screw (06.2) and washer (06.3).
5) Completo di dado (33), rondella (66), linguette (60,61) e ghiera (62).	5) Complete with nut (33), washer (66), keys (60,61) and lock ring (62).
* Materiali di costruzione	* Construction material
B = Bronzo	B = Bronze
G = Ghisa	G = Cast iron
G+N1 = Ghisa+Trattamento	G+N1 = Treated Cast iron
G+N2 = Ghisa+Trattamento	G+N2 = Treated Cast iron
G+N4 = Ghisa+Trattamento	G+N4 = Treated Cast iron
GS = Ghisa sferoidale	GS = Ductile cast iron
H = Acciaio INOX AISI 304	H = AISI 304 Stainless steel
K = Acciaio INOX AISI 316	K = AISI 316 Stainless steel
K7 = Acciaio INOX SAF 2205	K7 = SAF2205 Stainless steel
N = Gomma nitrile	N = Nitrile rubber
OTS = Ottone	OTS = Brass
S = Acciaio	S = Steel
S3 = Acciaio 38NiCrMo4	S3 = Steel 38 NiCrMo4
V = Viton	V = Viton
Z = Zinco	Z = Zinc
Ordinare il materiale indicando sempre la quantità, la denominazione, il codice del pezzo, il tipo ed il numero della pompa.	When ordering spares always indicate type and serial number of pump, quantity, part name, and number.