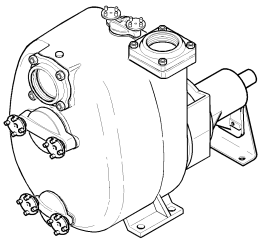
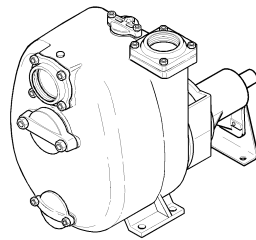


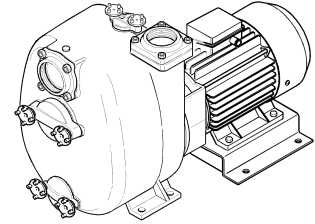
DISTINTA DELLE PARTI COSTITUENTI LE POMPE CENTRIFUGHE AUTOADESCANTI SERIE "J"
SPARE PARTS LIST FOR "J" SERIES SELF-PRIMING PUMPS
LISTE DES PIECES DE RECHANGE POUR POMPES CENTRIFUGES AUTO-AMORCANTES SERIE "J"
ERSATZTEILLISTE FÜR SELBSTANSAUGENDE KREISELPUMPEN SERIE "J"



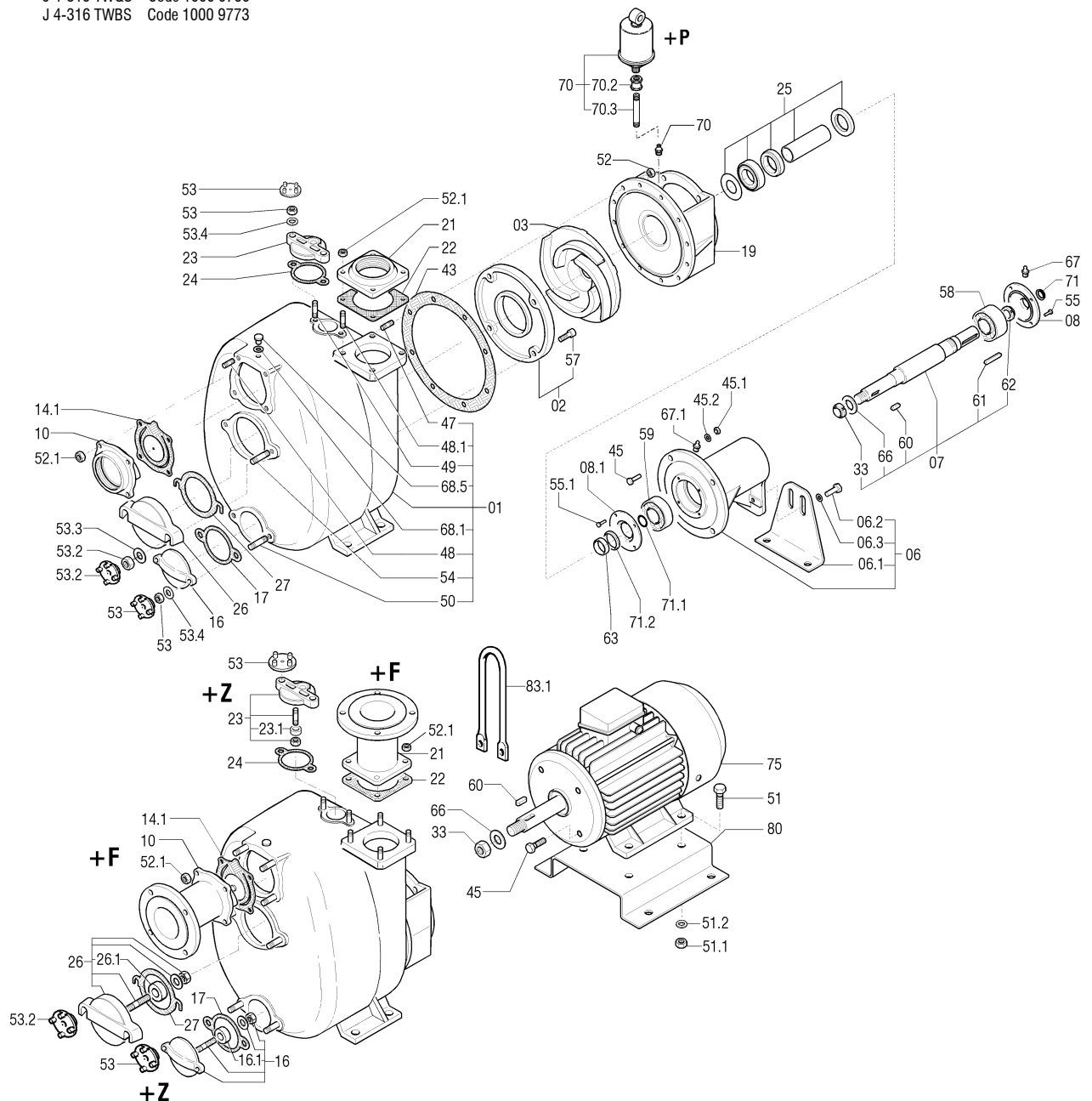
J 4-316 TWGS Code 1000 9757
 J 4-316 T4WGS Code 1000 9760
 J 4-316 TWQS Code 1000 9759
 J 4-316 TWBS Code 1000 9773



J 4-316 TWFS Code 1000 9761



J 4-316 TWGMC3 Code 1000 9765



Rif. N°. Pos. Nr. Ref. no. Réf. N°.	Quant.	Denominazione	Part name	Den. Comm. Type	Mat.*	Codice Vecchio Old Part No.	Codice Nuovo New Part No.	J 4-316 TWGS	J 4-316 T4WGS	J 4-316 TWFS	J 4-316 TWQS	J 4-316 TWBS	J 4-316 TWGMC3
01	1	Corpo (1)	Casing (1)		GS	5317 3058	1002 0713	○	○	○	○	○	○
					B	3317 2025	1002 0714					○	
02	1	Piatto d'usura (2)	Wear plate (2)		G	5585 3051	1000 8435	④	○	○			④
					GN	5585 3543	1000 8459	○					○
					B	5585 2036	1000 8407	②			○	○	②
03	1	Girante	Impeller		GS	3405 3118	1000 5373	○	○				○
					B	3405 2065	1000 5249	①			○	○	①
					K	3405 5054	1000 5421			○			
06	1	Supporto (3)	Bearing housing (3)		G	5999 0096	1000 9078	○	○	○	○	○	
06.1	1	Piede	Base		S	3605 7002	1000 6145	○	○	○	○	○	
06.2	2	Vite	Screw	M 16 x 35 DIN 933	S	1478 4052	1000 1972	○	○	○	○	○	
06.3	2	Rondella	Washer	M 16 DIN 125 A	S	1450 4009	1000 1693	○	○	○	○	○	
07	1	Albero (4)	Shaft (4)		S3	5030 4034	1000 7569	○	○				
					K9	5030 5045	1000 7609			○	○	○	
08	1	Copricuscinetto	Bearing cover		G	3285 3016	1000 4780	○	○	○	○	○	
08.1	1	Copricuscinetto	Bearing cover		G	3285 3017	1000 4781	○	○	○	○	○	
10	1	Portavalvola	Suction flange	R4"	G	3660 3013	1000 6426	○	○	○			○
				DN 100 PN 16	G	3660 3015	1000 6428	③	③	③			③
				R4"	B	3660 2009	1000 6401				○	○	
				DN 100 PN 16	B	3660 2017	1000 6407				③	③	
14.1	1	Valvola completa (5)	Check valve ass. (5)		NH	5960 0029	1000 9032	○			○	○	○
					VK	5960 0020	1000 9024	⑦		○			⑦
					TK	5960 0032	1000 9033		○				
16	1	Portina	Cover		G	3675 3001	1000 6474	○	○	○			○
					GZ	5675 3001	1000 8503	⑤			○		⑤
					OTS	2675 2001	1000 3749					○	
16.1	1	Placca zinco	Zinc anode		Z			⑤			○		⑤
17 (**)	1	Guarnizione	Gasket	72 x 95 x 3									
19	1	Portamotore	Head		G	3645 3155	1000 6345	○		○	○		○
					G	3645 3159	1000 6349		○				
					B	3645 2048	1000 6288					○	
21	1	Flangia mandata	Discharge flange	R4"	G	3360 3013	1000 5094	○	○	○			○
				DIN DN 100 PN 16	G	3360 3015	1000 5096	③	③	③			③
				R4"	OTS	3360 2009	1000 5072				○	○	
				DIN DN 100 PN 16	B	3360 2012	1000 5075				③	③	
22 (**)	1	Guarnizione	Gasket										
23	1	Portina	Cover		S	3675 3000	1000 6473	○	○	○			○
					SZ	5675 3000	1000 8502	⑤			○		⑤
					B	2675 2000	1000 3748					○	
23.1	1	Placca zinco	Zinc anode		Z			⑤			○		⑤
24 (**)	1	Guarnizione	Gasket										
25	1	Tenuta completa	Mechanical seal ass.	T50 YYV			1002 0627	○		○	○	○	○
				N50YYT		5919 4175	1000 9003		○				
26	1	Portina	Cover		G	3675 3002	1000 6475	○	○	○			○
					GZ	5675 3002	1000 8504	⑤			○		⑤
					B	3675 2002	1000 6468					○	
26.1	1	Placca zinco	Zinc anode		Z	2720 0000	1000 3810	⑤			○		⑤
27 (**)	1	Guarnizione	Gasket										
33	1	Dado blocca girante	Impeller nut	M 30 x 2 UNI 7474	H	1422 5008	1000 1466	○	○				○
					K	1422 5015	1000 1473			○	○	○	
43 (**)	2	Guarnizione corpo	Casing gasket	316 x 384 x 0,5									
45	4	Vite	Screw	M 16 x 55 DIN 933	S	1478 4076	1000 1992	○	○				
					K	1478 5069	1000 2071			○	○	○	
				M 16 x 50 DIN 933	S	1478 4055	1000 1975						○

VARISCO S.p.A.

35129 Padova – Z.I. Nord Terza Strada, 9

Tel. 049 82 94 111

+39 049 82 94 111

Fax 049 82 94 373

International +39 049 80 76 762



Rif. N°. Pos. Nr. Ref. no. Réf. N°.	Quant.	Denominazione	Part name	Den. Comm. Type	Mat.*	Codice Vecchio Old Part No.	Codice Nuovo New Part No.	J 4-316	J 4-316	J 4-316	J 4-316	J 4-316	J 4-316	
								TWGS	TWGS	TWFS	TWGS	TWBS	TWCMC3	
45.1	4	Dado	Nut	M 16 DIN 934	S	1420 4009	1000 1425	○	○					
45.2	4	Rondella	Washer	M 16 UNI 1751/52 A	S	1448 4007	1000 1683	○	○					
47 (*)	12	Prigioniero	Stud	M 12 x 30 DIN 938	S			○	○				○	
48 (*)	4	Prigioniero	Stud	M 12 x 30 DIN 938	S			○	○				○	
48.1 (*)	4	Prigioniero	Stud	M 12 x 30 DIN 938	S			○	○				○	
49 (*)	2	Prigioniero	Stud	M 10 x 35 DIN 938	S			○	○				○	
50 (*)	2	Prigioniero	Stud	M 10 x 35 DIN 938	S			○	○				○	
51	4	Vite	Screw	M 12 x 40 DIN 933	S	1478 4041	1000 1962							○
51.1	4	Dado	Nut	M 12 DIN 934	S	1420 4006	1000 1422							○
51.2	4	Rondella	Washer	M 12 DIN 125 A	S	1450 4016	1000 1699							○
52 (*)	12	Dado	Nut	M 12 DIN 934	S			○	○					○
52.1 (*)	8	Dado	Nut	M 12 DIN 934	S			○	○					○
53 (*)	4	Maniglietta	Wrench	M 10	OTS			○	○					○
		Dado	Nut	M 10 DIN 934	K					○				
53.2 (*)	2	Maniglietta	Wrench	M 12	OTS			○	○					○
		Dado	Nut	M 12 DIN 934	K					○				
53.3 (*)	2	Rondella	Washer	M 12 DIN 125 A	K					○				
53.4 (*)	4	Rondella	Washer	M 10 DIN 125 A	K					○				
54 (*)	2	Prigioniero	Stud	M 12 x 35 DIN 938	S			○	○					○
55	4	Vite	Screw	M 8 x 20 DIN 933	S	1478 4010	1000 1937	○	○	○	○	○	○	
55.1	4	Vite	Screw	M 8 x 20 DIN 933	S	1478 4010	1000 1937	○	○	○	○	○	○	
57 (*)	4	Vite	Screw	M 10 x 20 DIN 912	H			○	○					○
58	1	Cuscinetto	Ball bearing	3310 HT		1418 0091	1000 1388	○	○	○	○	○	○	
59	1	Cuscinetto	Ball bearing	NU 310 E		1418 0011	1000 1339	○	○	○	○	○	○	
60	1	Linguetta	Key	12 x 8 x 45 DIN 6885A	K	1434 5022	1000 1637	○	○	○	○	○	○	○
61	1	Linguetta	Key	12 x 8 x 90 DIN 6885A	S	1434 4022	1000 1600	○	○	○	○	○	○	
62	1	Ghiera	Lock ring	M 50	S	1430 4006	1000 1575	○	○	○	○	○	○	
63	1	Ghiera	Sleeve	42 X 60 X 19	S	3105 4691	1000 4184	○	○	○	○	○	○	
66	1	Rondella	Washer	M 30 DIN 125A	H	1450 5014	1000 1716	○	○					○
					K	1450 5013	1000 1715			○	○	○	○	
67	1	Ingrassatore	Grease nipple	M 6		1444 0009	1000 1664	○	○	○	○	○	○	
67.1	1	Ingrassatore	Grease nipple	1/4"		1444 0007	1000 1662	○	○	○	○	○	○	
68.1 (**)	1	Guarnizione	Gasket	1/4" DIN 908										
68.5 (*)	1	Tappo	Plug	1/4"	S			○	○					○
70 (*)	1	Ingrassatore	Grease nipple	1/4"				○	○	○	○	○	○	○
		Cartuccia Perma (6)	Perma cartridge (6)			5444 0012	1000 8316	⊗	⊗	⊗	⊗	⊗	⊗	⊗
70.2	1	Manicotto	Union	1/4"	G	1635 3002	1000 2352	⊗	⊗	⊗	⊗	⊗	⊗	⊗
70.3	1	Prolunga	Grease tube	1/4" x 75	S	3988 4001	1000 6955	⊗	⊗	⊗	⊗	⊗	⊗	⊗
71	1	V-ring	V-ring	V 45 S	N	1408 6007	1000 1296	○	○	○	○	○	○	
71.1	1	O-Ring	O-Ring	OR 147	N	1404 6002	1000 1207	○	○	○	○	○	○	
71.2	1	V-ring	V-ring	V 60 S	N	1408 6008	1000 1297	○	○	○	○	○	○	
75	1	Motore	A.C. Motor			1371 5800	1000 1187							○

VARISCO S.p.A.

35129 Padova - Z.I. Nord Terza Strada, 9

Tel. 049 82 94 111

+39 049 82 94 111

Fax 049 82 94 373

International +39 049 80 76 762



Rif. N°. Pos. Nr. Ref. no. Réf. N°.	Quant.	Denominazione	Part name	Den. Comm. Type	Mat.*	Codice Vecchio Old Part No.	Codice Nuovo New Part No.	J 4-316 TWGS	J 4-316 T4WGS	J 4-316 TWFS	J 4-316 TWQS	J 4-316 TWBS	J 4-316 TWGMC3
80	1	Piede motore	Motor base		S	4600 0021	1000 7432						○
83.1	1	Gancio di sollevam.	Lifting hook		S	4390 0003	1000 7398						○
(*)		Serie viterie	Set of screws				1001 4422	○					○
							1001 4426		○				
							1001 4428			○			
							1001 4431				○		
							1001 4434					○	
(**)		Serie guarnizioni	Set of gaskets				1001 4423	○					○
							1001 4427		○				
							10014429	⑦		○			⑦
							1001 4432				○	○	

Note:

- 1) Completo di prigionieri (47, 48, 48.1, 49, 50, 54).
- 2) Completo di viti (57).
- 3) Completo di supporto (06), piede (06.1), vite (06.2) e rondella (06.3).
- 4) Completo di linguette (60, 61), dado (33), rondella (66) e ghiera (62).
- 5) Completo di valvola, contrappesi, vite e dado.
- 6) Completo di manicotto (70.2) e prolunga (70.3).

- ① +BI Girante in bronzo
- ② +BWP Piatto in bronzo
- ③ +F Con flange DIN DN 100 PN 16
- ④ +GWP Piatto in ghisa
- ⑤ +Z Protezione galvanica
- ⑥ +P Cartuccia Perma
- ⑦ +V Guarnizioni in Viton

* Materiali di costruzione

- B = Bronzo
- G = Ghisa
- GS = Ghisa sferoidale
- H = Acciaio INOX AISI 304
- K = Acciaio INOX AISI 316
- K9 = Acciaio INOX AISI 329
- N = Gomma nitrile
- OTS = Ottone
- S = Acciaio
- S3 = Acciaio 38NiCrMo4
- T = Teflon
- V = Viton
- Z = Zinco

Ordinare il materiale indicando sempre la quantità, la denominazione, il codice del pezzo, il tipo ed il numero della pompa.

Notes:

- 1) Complete with studs (47, 48, 48.1, 49, 50, 54).
- 2) Complete with screws (57).
- 3) Complete with bearing housing (06), foot (06.1), screw (06.2) and washer (06.3).
- 4) Complete with keys (60, 61), nut (33), washer (66) and lock ring (62).
- 5) Complete with check valve, weights, screw and nut.
- 6) Complete with union (70.2) and grease tube (70.3).

- ① +BI Bronze impeller
- ② +BWP Bronze wear plate
- ③ +F DIN DN 100 PN 16 flanged ports
- ④ +GWP Cast iron wear plate
- ⑤ +Z Zinc anode
- ⑥ +P Perma cartridge
- ⑦ +V Viton gaskets

* Construction materials

- B = Bronze
- G = Cast iron
- GS = Ductile cast iron
- H = AISI 304 Stainless steel
- K = AISI 316 Stainless steel
- K9 = AISI 329 Stainless steel
- N = Nitrile rubber
- OTS = Brass
- S = Steel
- S3 = Steel 38NiCrMo4
- T = Teflon
- V = Viton
- Z = Zinc

When ordering spares always indicate type and serial number of pump, quantity, part name, and number.

VARISCO S.p.A.

35129 Padova – Z.I. Nord Terza Strada, 9

Tel. 049 82 94 111

Fax 049 82 94 373

+39 049 82 94 111

International +39 049 80 76 762

