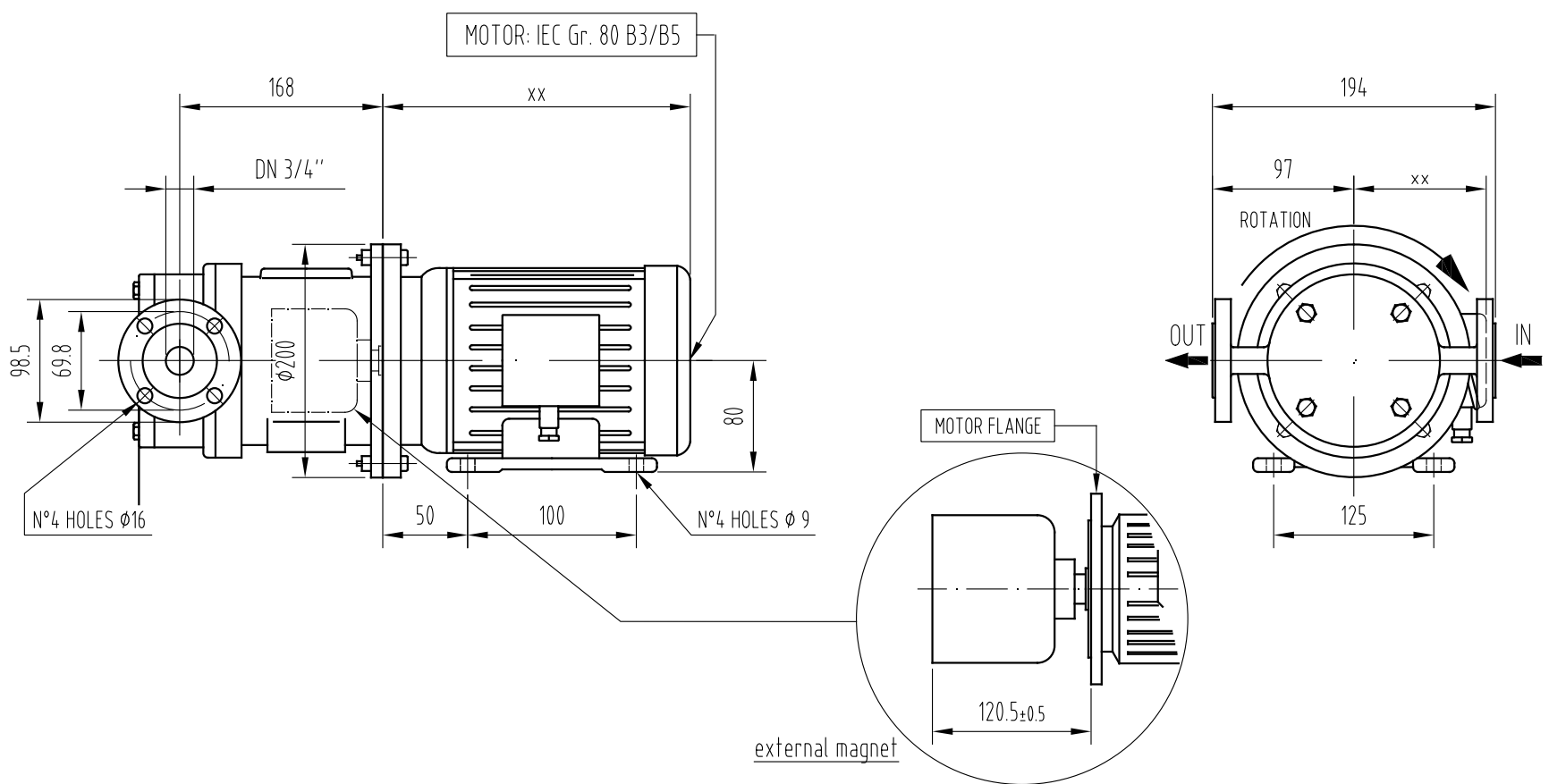
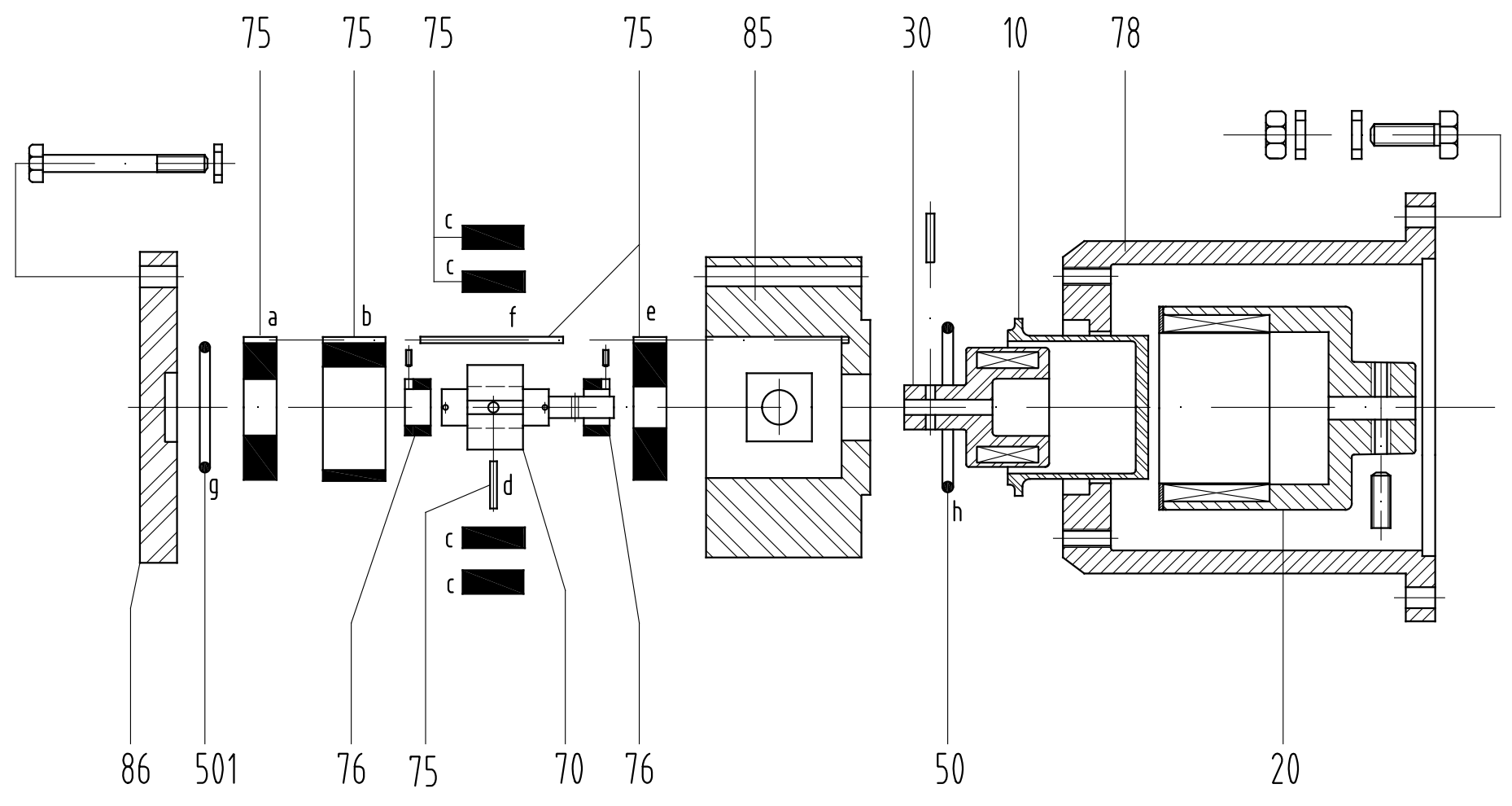


dimensions in mm



(xx) DIFFERENT FROM MOTOR MANUFACTURER

FLANGES ANSI 150LB



REF	DESCRIPTION	MATERIAL	CODE
10	Containment shell	PVDF	GPP60010 PV
20	Ext. Magnet	CoSm/ Carbon Steel	GPA60020 04
30	Int. Magnet	PVDF/CoSm	GPP60030 PV
50	Set O-Rings (g+h) g = O-Ring 4200 (226) h = O-Ring 4312 (235)	VITON	GPA60050 V
70	Rotor Shaft	PTFEC	GPP60070 09 1SIC
75	Cartridge Pack (a+b+c+d+e+f) a = Front Flange b = Stator c = Vanes d = Vane Spacing Pins e = Rear Flange f = Guide Pin	Pcarbon Pcarbon Pcarbon PVDF Pcarbon PVDF	GPP60075 PV 4 1SIC
76	Bearings		GPA60076 5
78	Bracket (200-130-19)	PP	GPP60078 N3 04
80	Kit Spares (50+70+75)	/	GPP60080 PV 4 V 1SIC
85	Pump Casing	PVDF	GPP60085 PV 05
86	End Cover	PVDF	GPP60086 PV N 5

/	/	/	RC	PC	LC
Rev.	Date	Description	Drn.	Chk'd	Appr.

REVISIONS

 	CUSTOMER	/
	P.O. N°	/
	REF	/
	ITEM	/
	SERIAL N°	/

MODEL  
GPP600 PVDF 2° FL ANSI 150LB 1SIC  
MP614 PVDF 2° FL ANSI 150LB 1SIC

CODE/DWG  
GPP600 PV C 05 5 4 09 V N N 3 04 3 N