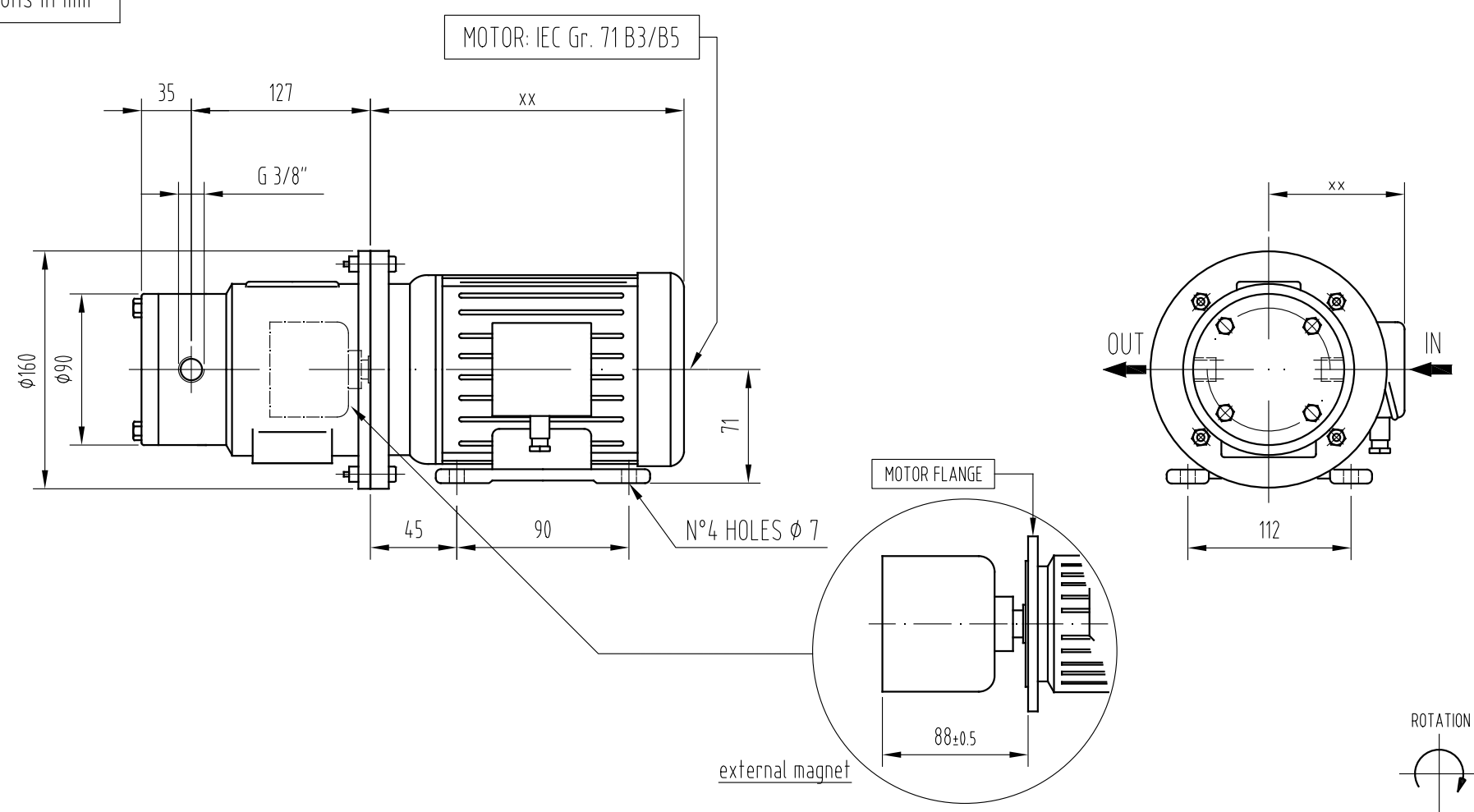


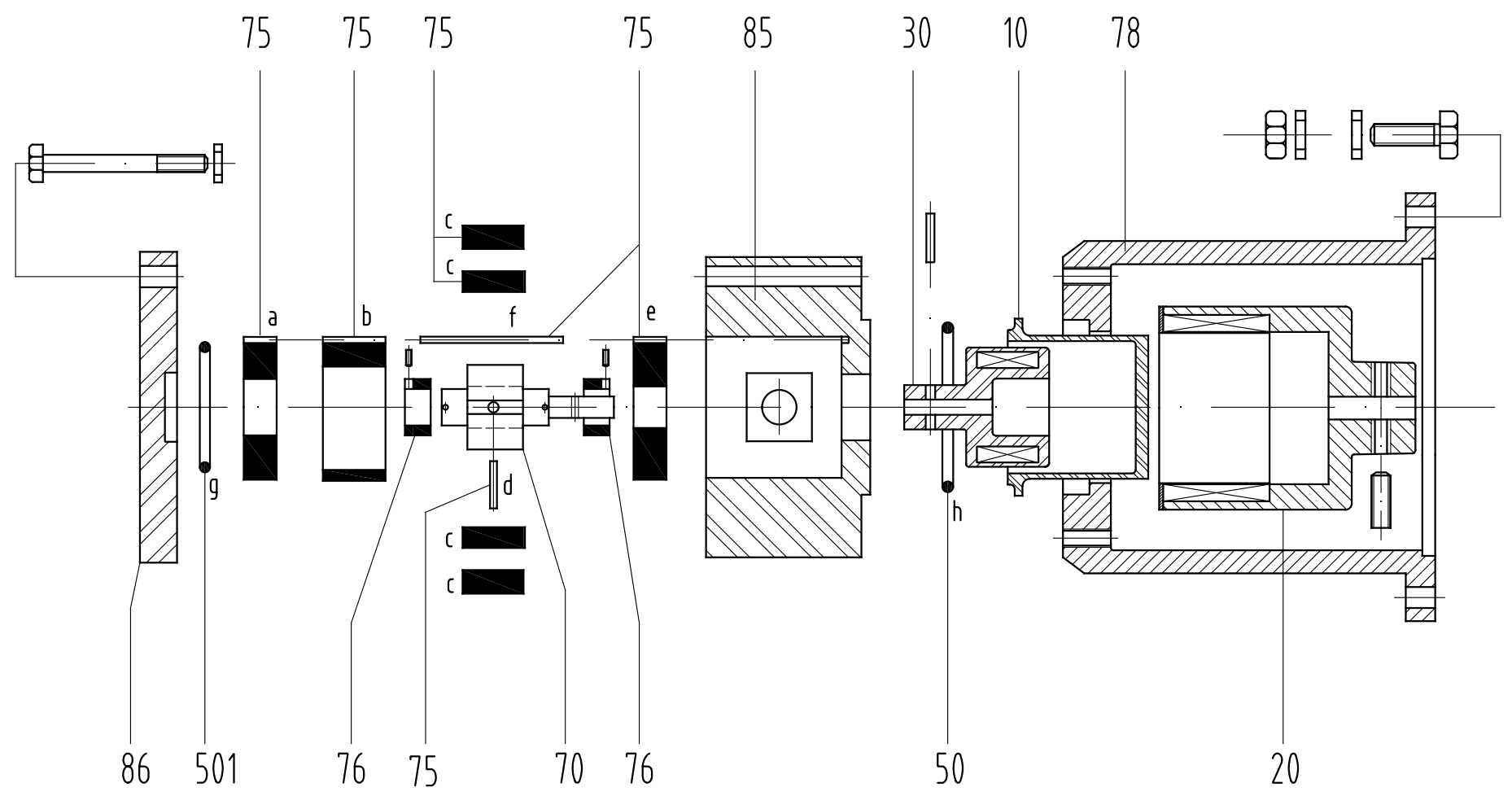
dimensions in mm



⊗ DIFFERENT FROM MOTOR MANUFACTURER

THREAD UNI ISO 228/1

REF	DESCRIPTION	MATERIAL	CODE
10	Containment shell	PVDF	GPP10010 PV
20	Ext. Magnet	CoSm/ Carbon Steel	GPA10020 03
30	Int. Magnet	PVDF/NeFeB	GPP10030 PV
50	Set O-Rings (g+h) g = O-Ring 4150 (222) h = O-Ring 4250 (230)	VITON	GPA10050 V
70	Rotor Shaft	PVDFC	GPP10070 09 1 SIC
75	Cartridge Pack (a+b+c+d+e+f) a = Front Flange b = Stator c = Vanes d = Vane Spacing Pins e = Rear Flange f = Guide Pin	Pcarbon Pcarbon Pcarbon PVDF Pcarbon PVDF	GPP10075 PV 4 1 SIC
76	Bearings	SIC	GPA10076 5
78	Bracket (160-110-14)	CAST IRON	GPA10078 N 1 03
80	Kit Spares (50+70+75)	/	GPP10080 PV 4 V 1 SIC
85	Pump Casing	PVDF	GPP10085 PV 01
86	End Cover	PVDF	GPP10086 PV N 1 SIC



/	/	/	RC	PC	LC
Rev.	Date	Description	Drn.	Chk'd	Appr.

REVISIONS

 <b>GREENPUMPS</b> MAG - DRIVE SEAL - LESS PUMPS  <b>CASTER</b> MAGNETIC DRIVE PUMPS	CUSTOMER	/
	P.O. N°	/
	REF	/
	ITEM	/
	SERIAL N°	/

MODEL  
GPP100 PVDF I° FPT 1 SIC  
MP114 PVDF I° FPT 1 SIC

CODE/DWG  
GPP100 PV C 01 5 4 09 V N N 1 03 3 N