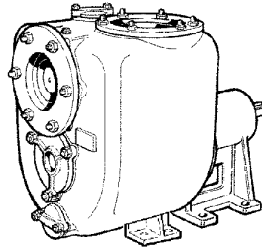
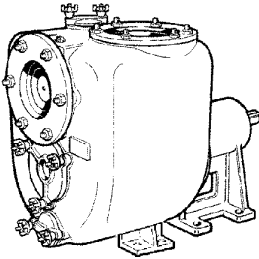
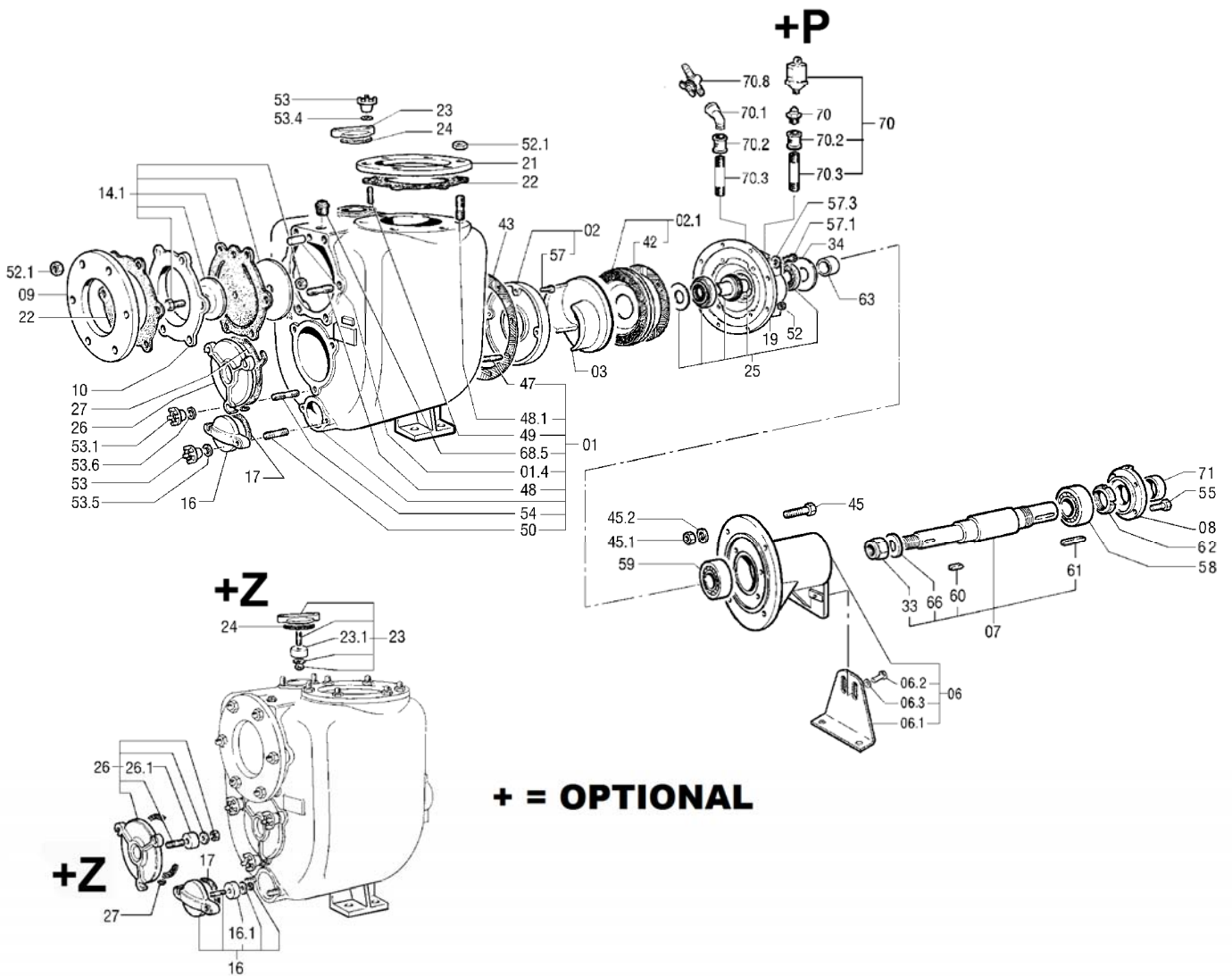


DISTINTA DELLE PARTI COSTITUENTI LE POMPE CENTRIFUGHE AUTOADESCANTI SERIE " J "

SPARE PARTS LIST FOR " J " SERIES SELF-PRIMING PUMPS



JS 6-253 G10	Code 10023176
JS 6-253 Q10	Code 10023177
JS 6-253 D11	Code 10053191
JS 6-253 P10	Code 10053192



Rif. N°. Pos. Nr.	Quant.	Denominazione	Part name	Den. Comm.	Type	Mat. *	Codice Nuovo New Part. No.	JS 6-253 G10	JS 6-253 Q10	JS 6-253 D11	JS 6-253 P10
01	1	Corpo (1)	Casing (1)			G	1002 3930	○			○
						G	1004 5063		○		
						G+N2	1005 3193			○	
01.4	1	Spina	Spring pin	UNI 6873 5 x 10		S	1000 1775	○	○	○	○
02	1	Piatto d'usura (2)	Wear plate (2)			GN	1000 8448	○			
						B	1000 8396		○		
						G+N1	1005 3194			○	
						G	1000 8422				○
02.1	1	Piatto d'usura (3)	Wear plate (3)			GN	1002 3925	○			
						B	1002 3927		○		
						G+N1	1005 3160			○	
						G	1002 3926				○
03	1	Girante	Impeller			GS	1002 3086	○			○
						B	1001 7599		○		
						GS+N4	1005 1431			○	
06	1	Supporto completo (4)	Bearing housing compl. (4)			G	1002 1227	○	○	○	○
07	1	Albero (5)	Shaft (5)			S3	1002 1225	○		○	○
						K7	1002 1264		○		
08	1	Copricuscinetto	Bearing cover			G	1000 4775	○	○	○	○
09	1	Flangia aspirazione	Suction flange	DN 150 D.I. 1882		S	1000 1499	○	○	○	○
								+F	+F	+F	+F
10	1	Portavalvola	Suction flange			G	1000 6431	○		○	○
						OTS	1000 6402		○		
14.1	1	Valvola completa	Check valve ass.			NG	1000 9026	○		○	○
						VK	1000 9036		○		
16	1	Portina	Cover			G	1000 6474	○		○	○
						GZ	1000 8503	+Z	○		
17 (**)	1	Guarnizione	Gasket	72 x 95 x 3							
19	1	Portamotore	Head			G	1002 1216	○	○		○
						G+N1	1005 1433			○	
21	1	Flangia mandata	Discharge flange	DN 150 D.I. 1882		S	1000 1481	○	○	○	○
								+F	+F	+F	+F
22 (**)	2	Guarnizione	Gasket	150 x 285 x 3							
23	1	Portina	Cover			G	1000 6474	○		○	○
						GZ	1000 8503	+Z	○		
24 (**)	1	Guarnizione	Gasket	72 x 95 x 3							
25	1	Anello di tenuta compl.	Mechanical seal ass.	T45 YYN ND T 45 YYV ND			1002 1228	○	○	○	○
							1002 1309				
26	1	Portina	Cover			G	1000 6477	○		○	○
						GZ	1000 8505	+Z	○		
27 (**)	1	Guarnizione	Gasket								
33	1	Dado blocca girante	Impeller nut	M 30 x 2 UNI 7474 M 30 x 2 UNI 7474		H	1000 1466	○		○	○
						K	1000 1473		○		
42 (**)	1	Guarnizione piatto	Wear plate gasket								
43 (**)	1	Guarnizione corpo	Casing gasket								
45	4	Vite	Screw	M 12 x 40 DIN 933 M 12 x 45 DIN 931		K	1000 2056		○		
						S	1000 1963	○		○	○
45.1	4	Dado	Nut	M 12 DIN 934		S	1000 1422	○		○	○
						K	1000 1439		○		
45.2	4	Rondella	Washer	M 12 UNI 1751/52 A		S	1000 1681	○		○	○
						K	1000 1685		○		
47 (*)	8	Prigioniero	Stud	M 12 x 25 DIN 938 M 12 x 25 DIN 938		S		○		○	○
						K			○		
48 (*)	6	Prigioniero	Stud	M 16 x 55 DIN 938 M 16 x 60 DIN 938		S		○		○	○
						K			○		
48.1 (*)	6	Prigioniero	Stud	M 16 x 35 DIN 938		S		○		○	○
						K			○		
49 (*)	2	Prigioniero	Stud	M 10 x 35 DIN 938		S		○		○	○
						K			○		
50 (*)	2	Prigioniero	Stud	M 10 x 35 DIN 938		S		○		○	○
						K			○		

Rif. N° Pos. Nr.	Quant.	Denominazione	Part name	Den. Comm.	Type	Mat. *	Codice Nuovo New Part. No.	JS 6-253 G10	JS 6-253 Q10	JS 6-253 D11	JS 6-253 P10
52 (*)	8	Dado	Nut	M 12 DIN 934		S		○			
						K			○		
52.1 (*)	12	Dado	Nut	M 16 DIN 934		S		○			
						K			○		
53 (*)	4	Maniglietta	Wrench	M 10		OTS		○	○	○	○
53.1 (*)	3	Maniglietta	Wrench	M 12		OTS		○	○	○	○
54 (*)	3	Prigioniero	Stud	M 12 x 30 DIN 938		S		○		○	○
						K			○		
55	4	Vite	Screw	M 6 x 20 DIN 933		S	1000 1933	○	○	○	○
57 (*)	4	Vite	Screw	M 10 x 20 DIN 912		H		○		○	○
						K			○		
57.1 (*)	4	Vite	Screw	M 12 x 25 DIN 933		S		○		○	○
						H			○		
57.3 (*)	4	Rondella	Washer	M 12 DIN 125A		S		○		○	○
						H			○		
58	1	Cuscinetto	Ball bearing	3308 2RS			1004 0861	○	○	○	○
59	1	Cuscinetto	Ball bearing	62208-2RS			1000 1365	○	○	○	○
60	1	Linguetta	Key	10 x 8 x 40 DIN6885A		K	1000 1626	○	○	○	○
61	1	Linguetta	Key	10 x 8 x 70 DIN6885A		S	1000 1598	○	○	○	○
62	1	Ghiera	Lock ring	M 40		S	1000 1573	○	○	○	○
63	1	Ghiera	Sleeve	35 x 50 x 10		S	1002 1222	○	○	○	○
				35 x 50 x 3		S	1001 5794				
66	1	Rondella	Washer	M 30 DIN 125A		H	1000 1716	○		○	○
						K	1000 1715		○		
68.5 (*)	1	Tappo	Plug	1/4"		G	1000 2379	○	○	○	○
70 (*)	1	Ingrassatore	Grease nipple	1/4"			1000 1662	○	○	○	○
		Cartuccia Perma	Perma cartridge				1000 8316	+P	+P	+P	+P
70.1	1	Curva	Elbow				1000 2302			○	
70.2	1	Manicotto	Union	1/4"		G	1000 2352	+P	+P	+P	+P
70.3	1	Prolunga	Grease tube	1/4"		S	1000 6955	+P	+P	+P	+P
70.8	1	Rubinetto Lava Tenuta	Seal flush cock	1/4"			1000 1768			○	
71	1	V-ring	V-ring	V 35		N	1000 1294	○	○	○	○
(*)		Serie viterie	Set of screws				1001 4213	○			○
							1005 1574			○	
							1001 4221		○		
(**)		Serie guarnizioni	Set of gaskets			N	1001 4214	○		○	
						V	1002 4038		○		○
+F***		Kit flange	Kit flange	DN 150 PN16		G	1004 4977	○		○	○
				DN 150 PN16		B	1004 5099		○		
				6" ASA150		G	1004 5100	○		○	○
+P***		Kit ingrassatore	Compl. Grease kit				1000 8316	○	○	○	○
+Z***		Kit portine	Set of couver			GZ	1001 4235	○			
***		Optional									

Note:		Notes:	
1) Completo di prigionieri (47, 48, 49, 50, 54) e tappi (68.5).		1) Complete with studs (47, 48, 49, 50, 54) and plug (68.5).	
2) Completo di viti (57).		2) Complete with screws (57).	
3) Completo di guarnizione (42).		3) Complete with gasket (42).	
4) Completo di supporto (06), piede (06.1), vite (06.2) e rondella (06.3)		4) Complete with bearing housing (06), foot (06.1), screw (06.2) and washer (06.3).	
5) Completo di dado (33), rondella (66), linguette (60,61) e ghiera (62).		5) Complete with nut (33), washer (66), keys (60,61) and lock ring (62).	
* Materiali di costruzione		* Construction material	
B	= Bronzo	B	= Bronze
D	= Guarnital	D	= Guarnital
E3	= Centellen VS 3820	E3	= Centellen VS 3820
G	= Ghisa	G	= Cast iron
G+N1	= Ghisa trattata	G+N1	= Treated Cast iron
G+N2	= Ghisa trattata	G+N2	= Treated Cast iron
GS	= Ghisa sferoidale	GS	= Ductile cast iron
GS+N4	= Ghisa sferoidale trattata	GS+N4	= Treated Ductile cast iron
H	= Acciaio INOX AISI 304	H	= AISI 304 Stainless steel
K	= Acciaio INOX AISI 316	K	= AISI 316 Stainless steel
K7	= Acciaio INOX SAF 2507	K7	= SAF 2507 Stainless steel
N	= Gomma nitrile	N	= Nitrile rubber
OTS	= Ottone	OTS	= Brass
S	= Acciaio	S	= Steel
S3	= Acciaio 38NiCrMo4	S3	= Steel 38 NiCrMo4
T	= Teflon	T	= Teflon
V	= Viton	V	= Viton
Z	= Zinco	Z	= Zinc
Ordinare il materiale indicando sempre la quantità, la denominazione, il codice del pezzo, il tipo ed il numero della pompa.		When ordering spares always indicate type and serial number of pump, quantity, part name, and number.	