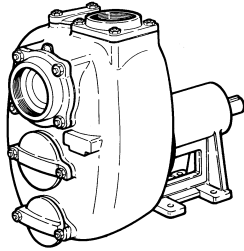
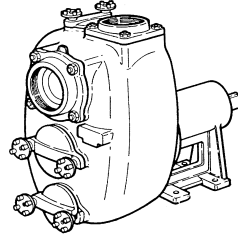


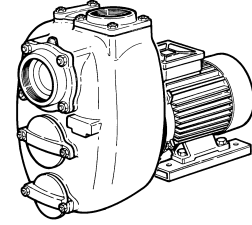
DISTINTA DELLE PARTI COSTITUENTI LE POMPE CENTRIFUGHE AUTOADESCANTI SERIE " J "
SPARE PARTS LIST FOR "J" SERIES SELF-PRIMING PUMPS
LISTE DES PIECES DE RECHANGE POUR POMPES CENTRIFUGES AUTO-AMORCANTES SERIE "J"
ERSATZTEILLISTE FÜR SELBSTANSAUGENDE KREISELPUMPEN SERIE "J"



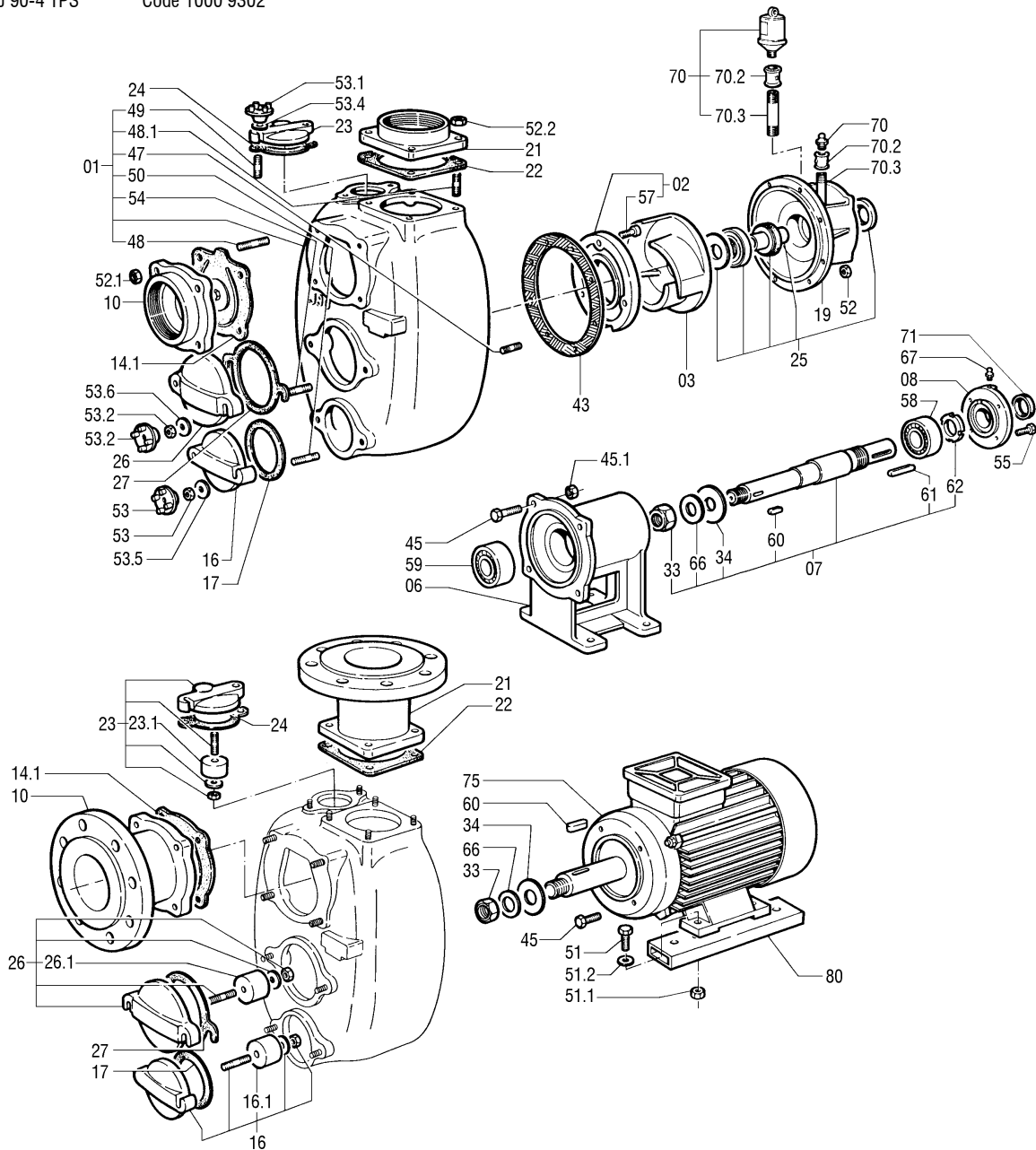
J 90-2 TWGS Code 1000 9294
 J 90-2 TPS Code 1002 0457
 J 90-4 TWGS Code 1000 9300
 J 90-4 TPS Code 1000 9302



J 90-2 TWQS Code 1001 3774
 J 90-4 TWQS Code 1000 9301



J 90-4 TWGMC3 Code 1000 9304



Rif. N°. Pos. Nr.	Quant.	Denominazione	Part name	Den. Comm. Type	Mat.*	Codice Vecchio Old Part No.	Codice Nuovo New Part No.	J 90-2 TWGS	J 90-2 TPS	J 90-2 TWQS	J 90-4 TWGS	J 90-4 TPS	J 90-4 TWQS	J 90-4 TWGMC3
01	1	Corpo (1)	Casing (1)		G	5317 3057	1000 8048	○	○	○	○	○	○	○
02	1	Piatto d'usura (2)	Front wear plate (2)		G	5585 3011	1000 8417	○	○	○	○	○	○	○
					B	5585 2007	1000 8392	②		○	②		○	②
					GN	5585 3510	1000 8441	④		④	④		④	④
					G	5585 3011	1000 8417	⑧		⑧	⑧		⑧	⑧
03	1	Girante	Impeller		G	3405 3040	1000 5294	○	○	○				
					B	3405 2018	1000 5205	①		○				
					K	3405 5053	1000 5420	⑥			⑥			⑥
					G	3405 3095	1000 5347			○	○		○	○
					B	3405 2056	1000 5235			①			○	①
06	1	Supporto	Bearing housing		G	3870 3007	1000 6865	○	○	○	○	○	○	
07	1	Albero (3)	Shaft (3)		S	5030 4044	1000 7575	○	○	○	○	○	○	
					K	5030 5027	1000 7605	⑦	⑦	○	⑦	⑦	○	
08	1	Copricuscinetto	Bearing cover		G	3285 3008	1000 4774	○	○	○	○	○	○	
10	1	Portavalvola	Suction flange	R4"	G	3660 3013	1000 6426	○	○	○	○	○	○	○
				R4"	B	3660 2009	1000 6401			○			○	
				DIN DN 100 PN 16	G	3660 3015	1000 6428	③	③		③	③		③
				DIN DN 100 PN 16	B	3660 2017	1000 6407			③			③	
14.1	1	Valvola completa	Check valve ass.		NH	5960 0029	1000 9032	○		○	○		○	○
					VK	5960 0020	1000 9024	⑧	○	⑧	⑧	○	⑧	⑧
16	1	Portina (4)	Cover (4)		G	3675 3001	1000 6474	○	○		○	○	○	○
					GZ	5675 3001	1000 8503	⑨	⑨	○	⑨	⑨	○	⑨
16.1	1	Placca zinco	Zinc anode		Z	2720 0000	1000 3810	⑨	⑨	○	⑨	⑨	○	⑨
17 (**)	1	Guarnizione	Gasket											
19	1	Portamotore	Head		G	3645 3032	1000 6304	○	○	○	○	○	○	○
21	1	Flangia mandata	Discharge flange	R4"	G	3360 3013	1000 5094	○	○		○	○	○	○
				R4"	B	3360 2009	1000 5072			○			○	
				DIN DN 100 PN 16	G	3360 3015	1000 5096	③	③		③	③		③
				DIN DN 100 PN 16	B	3360 2012	1000 5075			③			③	
22 (**)	1	Guarnizione	Gasket											
23	1	Portina (4)	Cover (4)		G	3675 3000	1000 6473	○	○		○	○	○	○
					GZ	5675 3000	1000 8502	⑨	⑨	○	⑨	⑨	○	⑨
23.1	1	Placca zinco	Zinc anode		Z	2720 0000	1000 3810	⑨	⑨	○	⑨	⑨	○	⑨
24 (**)	1	Guarnizione	Gasket											
25	1	Tenuta completa	Mechanical seal	T 35 YYN		5917 0049	1000 8836	○		○	○		○	○
				T 35 WCV		5917 0045	1000 8833	⑧			⑧			⑧
				T 35 GYV		5917 0043	1000 8831		○			○		
				T 35 GCV		5917 0044	1000 8832			⑧			⑧	
26	1	Portina (4)	Cover (4)		G	3675 3002	1000 6475	○	○		○	○	○	○
					GZ	5675 3002	1000 8504	⑨	⑨	○	⑨	⑨	○	⑨
26.1	1	Placca zinco	Zinc anode		Z	2720 0000	1000 3810	⑨	⑨	○	⑨	⑨	○	⑨
27 (**)	1	Guarnizione	Gasket											
33	1	Dado blocca girante	Impeller nut	M 24 x 2 UNI 7474	H	1422 5007	1000 1465	○	○		○	○	○	○
				M 24 x 2 UNI 7474	K	1422 5014	1000 1472	⑦	⑦	○	⑦	⑦	○	
34	1	Anello spartiacque	Water deflector	30 x 85 x 1	H	3045 5070	1000 4111	○		○	○		○	○
43 (**)	2	Guarnizione corpo	Casing gasket											
45	4	Vite	Screw	M 12 x 40 DIN 933	S	1478 4041	1000 1962	○	○		○	○		
				M 12 x 40 DIN 933	K	1478 5042	1000 2054			○			○	
				M 12 x 30 DIN 933	S	1478 4039	1000 1960							○
45.1	4	Dado	Nut	M 12 DIN 934	S	1420 4006	1000 1422	○	○		○	○		
				M 12 DIN 934	K	1420 5008	1000 1439			○			○	
47 (*)	8	Prigioniero	Stud	M 10 x 25 DIN 938	S			○	○		○	○	○	○
				M 10 x 25 DIN 938	K					○			○	
48 (*)	4	Prigioniero	Stud	M 12 x 30 DIN 938	S			○	○		○	○	○	○
				M 12 x 30 DIN 938	K					○			○	

VARISCO S.p.A.

Terza Strada, 9 - Z.I. Nord - 35129 Padova - Italy

Tel. 049 82 94 111

+39 049 82 94 111

Fax 049 82 94 373

International +39 049 80 76 762



Rif. N°. Pos. Nr.	Quant.	Denominazione	Part name	Den. Comm. Type	Mat.*	Codice Vecchio Old Part No.	Codice Nuovo New Part No.	J 90-2	J 90-2	J 90-2	J 90-4	J 90-4	J 90-4	J 90-4
								TWGS	TPS	TWQS	TWGS	TPS	TWQS	TWGM3
48.1 (*)	4	Prigioniero	Stud	M 12 x 30 DIN 938 M 12 x 30 DIN 938	S K			○	○	○	○	○	○	○
49 (*)	2	Prigioniero	Stud	M 10 x 30 DIN 938 M 10 x 35 DIN 938	S K			○	○	○	○	○	○	○
50 (*)	2	Prigioniero	Stud	M 10 x 30 DIN 938 M 10 x 35 DIN 938	S K			○	○	○	○	○	○	○
51	4	Vite	Screw	M 10 x 35 DIN 933	S	1478 4027	1000 1950							○
51.1	4	Dado	Nut	M 10 DIN 934	S	1420 4005	1000 1421							○
51.2	4	Rondella	Washer	M 10 DIN 125A	S	1450 4005	1000 1691							○
52 (*)	8	Dado	Nut	M 10 DIN 934 M 10 DIN 934	S H			○	○	○	○	○	○	○
52.1 (*)	4	Dado	Nut	M 12 DIN 934 M 12 DIN 934	S H			○	○	○	○	○	○	○
52.2 (*)	4	Dado	Nut	M 12 DIN 934 M 12 DIN 934	S H			○	○	○	○	○	○	○
53 (*)	2	Maniglietta Dado	Wrench Nut	M 10 M 10 DIN 934	OTS			○	○	○	○	○	○	○
53.1 (*)	2	Maniglietta Dado	Wrench Nut	M 10 M 10 DIN 934	OTS			○	○	○	○	○	○	○
53.2 (*)	2	Maniglietta Dado	Wrench Nut	M12 M 12 DIN 934	OTS			○	○	○	○	○	○	○
53.4 (*)	2	Rondella	Washer	M 10 DIN 125 A	S			○	○	○	○	○	○	○
53.5 (*)	2	Rondella	Washer	M 10 DIN 125 A	S			○	○	○	○	○	○	○
53.6 (*)	2	Rondella	Washer	M 12 DIN 125 A	S			○	○	○	○	○	○	○
54 (*)	2	Prigioniero	Stud	M 12 x 35 DIN 938 M 12 x 35 DIN 938	S K			○	○	○	○	○	○	○
55	4	Vite	Screw	M 6 x 20 DIN 933 M 6 x 20 DIN 933	S K	1478 4005 1478 5002	1000 1933 1000 2023	○	○	○	○	○	○	○
57 (*)	3	Vite	Screw	M 10 x 20 DIN 912 M 10 x 20 DIN 912	H K			②	②	○	②	②	○	②
58	1	Cuscinetto	Ball bearing	6307 Z		1418 0064	1000 1376	○	○	○	○	○	○	○
59	1	Cuscinetto	Ball bearing	62207 - 2RS		1418 0048	1000 1364	○	○	○	○	○	○	○
60	1	Linguetta	Key	8x7x32 DIN 6885 A	K	1434 5007	1000 1624	○	○	○	○	○	○	○
61	1	Linguetta	Key	8x7x50 DIN 6885 A	S	1434 4016	1000 1594	○	○	○	○	○	○	○
62	1	Ghiera	Sleeve	M 35	S	1430 4002	1000 1571	○	○	○	○	○	○	○
66	1	Rondella	Washer	M 24 DIN 125 A M 24 DIN 125 A	H K	1450 5012 1450 5010	1000 1714 1000 1713	○	○	○	○	○	○	○
67	1	Ingrassatore	Grease nipple	M 6		1444 0009	1000 1664	○	○	○	○	○	○	○
70 (*)	1	Ingrassatore	Grease nipple	M 1/4"				○	○	○	○	○	○	○
	1	Cartuccia Perma (5)	Perma cartridge (5)	M 1/4"		5444 0012	1000 8316	⑤		⑤	⑤		⑤	⑤
70.2	1	Manicotto	Union	1/4"	G	1635 3002	1000 2352	⑤		⑤	⑤		⑤	⑤
70.3	1	Prolunga	Grease tube	1/4"	S	3988 4001	1000 6955	⑤		⑤	⑤		⑤	⑤
71	1	V-Ring	V-Ring		N	1408 6003	1000 1293	○	○	○	○	○	○	○
75	1	Motore	A.C. Motor	V 380-660		1370 4901	1000 1179							○
80	2	Piede motore	Motor base			4600 0007	1000 7424							○
(*)		Serie viterie	Set of screws				1001 4194 1001 4208	○	○		○	○		○
(**)		Serie guarnizioni	Set of gaskets				1001 4195 1001 4196 1001 4209	○	○	⑧	○	⑧	○	⑧

VARISCO S.p.A.

Terza Strada, 9 - Z.I. Nord - 35129 Padova - Italy

Tel. 049 82 94 111

+39 049 82 94 111

Fax 049 82 94 373

International +39 049 80 76 762



Note:

- 1) Completo di prigionieri (47, 48, 48.1, 49, 50, 54).
- 2) Completo di viti (57).
- 3) Completo di linguette (60, 61), dado (33), rondella (66), ghiera (62) e anello spartiacque (34).
- 4) Completo di prigioniero, placca (16.1 o 23.1 o 26.1), rondella e dado.
- 5) Completo di prolunga (70.3) e manicotto (70.2).

- ① +BI Girante in bronzo
- ② +BWP Piatto in bronzo
- ③ +F Con flange DIN PN 16 DN 100
- ④ +RWP Piatto gommato
- ⑤ +P Cartuccia Perma
- ⑥ +SSI Girante in acciaio inox AISI 316
- ⑦ +SSS Albero in acciaio inox AISI 316
- ⑧ +V Guarnizioni in Viton
- ⑨ +Z Protezione galvanica

*** Materiali di costruzione**

- B = Bronzo
- G = Ghisa
- H = Acciaio inox AISI 304
- K = Acciaio inox AISI 316
- N = Gomma nitrile
- OTS = Ottone
- S = Acciaio
- V = Viton
- Z = Zinco

Ordinare il materiale indicando sempre la quantità, la denominazione, il codice del pezzo, il tipo ed il numero della pompa.

Notes:

- 1) Complete with studs (47, 48, 48.1, 49, 50, 54).
- 2) Complete with screws (57).
- 3) Complete with keys (60, 61), nut (33), water deflector (34) washer (66), and lock ring (62).
- 4) Complete with stud, zinc anode (16.1 or 23.1 or 26.1), washer and
- 5) Complete with grease tube (70.3) and union (70.2).

- ① +BI Bronze impeller
- ② +BWP Bronze wear plate
- ③ +F DIN PN16 DN100 flanged ports
- ④ +RWP Rubber wear plate
- ⑤ +P Perma cartridge
- ⑥ +SSI AISI 316 stainless steel impeller
- ⑦ +SSS AISI 316 stainless steel shaft
- ⑧ +V With Viton gaskets
- ⑨ +Z Zinc anode

*** Construction materials**

- B = Bronze
- G = Cast iron
- H = AISI 304 stainless steel
- K = AISI 316 stainless steel
- N = Nitrile rubber
- OTS = Brass
- S = Steel
- V = Viton
- Z = Zinc

When ordering spares always indicate type and serial number of pump, quantity, part name, and number.

VARISCO S.p.A.

Terza Strada, 9 - Z.I. Nord - 35129 Padova - Italy
 Tel. 049 82 94 111 +39 049 82 94 111
 Fax 049 82 94 373 International +39 049 80 76 762

